

CATALOG

LED Bulb



JIANGXI JINGKE ELECTRONICS CO., LTD

Address: Meidi Road, Guixi Industrial Zone, Guixi City,
Jiangxi Province, China.

Zip code:335400

Foshan Office: Star Tower , No. 6 Fenjiang Road, Foshan
City, China, Zip code: 528000

+86 13703061372
+86 13556051000

annawong_r1@163.com
benny_r1@163.com

<http://jxjkdz.com>

Since 2013



JINGKE was founded in 2013, it's a global comprehensive lighting manufacturer, credible supplier and service provider. We have our R&D team and production team with 400 employees, export to more than 80 countries in the world.

The company has its robust sales and service team. Through continuous innovation and sustainable development, JINKE strives to be a trusted OEM/ODM partner for all customers.





LED BULB-ERP SERIES

Features:

- High efficiency and low energy consumption
- Environment friendly
- Easy installation



Model	Size	Voltage(V)	EQ Watt	Lumen output(lm)	CCT	PF	DF	CRI	Base	Energy Class
A60 4,9W	60*108	220-240V	40W	470	3000/4000/6000K	≥0,5	/	>80	E27	D F
A60 8,5W	60*108	220-240V	60W	806	3000/4000/6000K	≥0,5	0,7	>80	E27	D F
A60 11W	60*112	220-240V	75W	1055	3000/4000/6000K	≥0,5	0,7	>80	E27	D F
A60 15W	60*118	220-240V	100W	1521	3000/4000/6000K	≥0,5	0,7	>80	E27	D F
C37 4,9W	37*100	220-240V	40W	470	3000/4000/6000K	≥0,5	/	>80	E27	D F
G45 4,9W	45*83	220-240V	40W	470	3000/4000/6000K	≥0,5	/	>80	E27	D F
G45 7W	45*91	220-240V	60W	600	3000/4000/6000K	≥0,5	0,7	>80	E27	D F
G95 15W	95*142	220-240V	100W	1521	3000/4000/6000K	≥0,5	0,7	>80	E27	D F



GU10/MR16



Model	Size	Voltage(V)	Power(W)	Lumen output(lm)	CCT	PF	DF	CRI	Base	Energy Class
Gu10 6W 38°PC	50*56	220-240V	6W	500	3000/4000/6000K	≥0.5	0.7	>80	GU 10	F
Gu10 5W 100°PC	50*56	220-240V	5W	400	3000/4000/6000K	≥0.5	0.7	>80	GU 10	F
Gu10 6W 100°PC	50*56	220-240V	6W	510	3000/4000/6000K	≥0.5	0.7	>80	GU 10	F
Gu10 7W 100°PC	50*56	220-240V	7W	600	3000/4000/6000K	≥0.5	0.7	>80	GU 10	F
MR 16 6W 100°PC	50*56	12V	6W	556	3000/4000/6000K	≥0.5	0.7	>80	GU 5,3	F
MR 16 7W 100°PC	50*56	12V	7W	705	3000/4000/6000K	≥0.5	0.7	>80	GU 5,3	F



Model	Size	Voltage(V)	Power(W)	Lumen output(lm)	CCT	PF	DF	CRI	Base	Energy Class
Gu10-5W	50*56	220-240V	5W	345	3000K	≥0.5	0.7	>80	GU 10	E F
Gu10-6W	50*56	220-240V	6W	460	3000K	≥0.5	0.7	>80	GU 10	E F
MR16-6W	50*56	12V	6W	470	3000K	≥0.5	0.7	>80	GU 5,3	E F



Model	Voltage(V)	Power(W)	DF	Lumen(lm)	CCT	CRI	Material
JY53-9W	200-240V	9W	0.5	720	3000/4000/6500K	80	PP+AL
JY53-9W-High RA	200-240V	9W	0.5	720	3000/4000/6500K	80	PP+AL
JY53-9W-3CCT	200-240V	9W	0.5	720	3000K-4000K-6500K	80	PP+AL



REFLECTOR LAMP



Model	Size	Voltage(V)	Power(W)	Lumen output(lm)	CCT	PF	DF	CRI	Base	Energy Class
R39 4,5W	39*69	220-240V	4,5W	325	3000/4000/6000K	≥0,5	0,7	>80	E14	G
R50 6W	50*86	220-240V	6W	470	3000/4000/6000K	≥0,5	0,7	>80	E14	G
R63 7W	63*100	220-240V	7W	600	3000/4000/6000K	≥0,5	0,7	>80	E27	F
R63 8,5W	63*100	220-240V	8,5W	806	3000/4000/6000K	≥0,5	0,7	>80	E27	F
R80 8,5W	80*116	220-240V	8,5W	806	3000/4000/6000K	≥0,5	0,7	>80	E27	F

LED BULB 3CCT

- Features:
- 3CCT by dip-switch
 - Reduce number of SKUs
 - Environment friendly
 - Easy installation



Model	Size	Voltage(V)	Power(W)	Lumen output(lm)	3CCT	PF	DF	CRI	Base	Energy Class
A60 9W	60*108	220-240V	9W	800	3000/4000/6000K	≥0,5	0,7	>80	E27	F
GU10-6W	50*54	220-240V	6W	460	3000/4000/6000K	≥0,5	0,7	>80	GU 10	F
GU10-7W	50*54	220-240V	7W	560	3000/4000/6000K	≥0,5	0,7	>80	GU 10	F

CORN LIGHT



Model	Size	Voltage(V)	Power(W)	Lumen output(lm)	Color Temperature	CRI	Base	DF	Life(H)	Materials	Energy Class
WR-PLC-11W	Φ34*140	220-240V	11W	1070lm	3000-6500K	>80	G24d-3	>0,7	25000	Plastic+glass	F
WR-PLC-12W	Φ34*150	220-240V	12W	1180lm	3000-6500K	>80	G24d-3	>0,7	25000	Plastic+glass	F
WR-PLC-13W	Φ34*170	220-240V	13W	1290lm	3000-6500K	>80	G24d-3	>0,7	25000	Plastic+glass	F
WR-PLC-15W	Φ34*170	220-240V	15W	1500lm	3000-6500K	>80	G24d-3	>0,7	25000	Plastic+glass	F
WR-PLC-16W	Φ34*170	220-240V	16W	1650lm	3000-6500K	>80	G24d-3	>0,7	25000	Plastic+glass	F

Model	Size	Voltage(V)	Power(W)	Lumen output(lm)	Color Temperature	CRI	Base	DF	Life(H)	Materials	Energy Class
WR-207-4W	Φ38*118	220-240V	4w	350lm	3000-6500K	>80	E14/E27/B22	>0,5	25000	Plastic+glass	F
WR-207-6W	Φ38*128	220-240V	6W	510lm	3000-6500K	>80	E14/E27/B22	>0,5	25000	Plastic+glass	F
WR-207-8W	Φ38*133	220-240V	8W	730lm	3000-6500K	>80	E14/E27/B22	>0,5	25000	Plastic+glass	F
WR-207-9W	Φ38*133	220-240V	9W	840lm	3000-6500K	>80	E14/E27/B22	>0,5	25000	Plastic+glass	F

Model	Size	Voltage(V)	Power(W)	Lumen output(lm)	Color Temperature	CRI	Base	DF	Life(H)	Materials	Energy Class
WR-333-9W	Φ38*118	220-240V	9W	350lm	3000-6500K	>80	E14/E27/B22	>0,5	25000	Plastic+glass	F
WR-333-15W	Φ38*128	220-240V	15W	510lm	3000-6500K	>80	E14/E27/B22	>0,5	25000	Plastic+glass	F

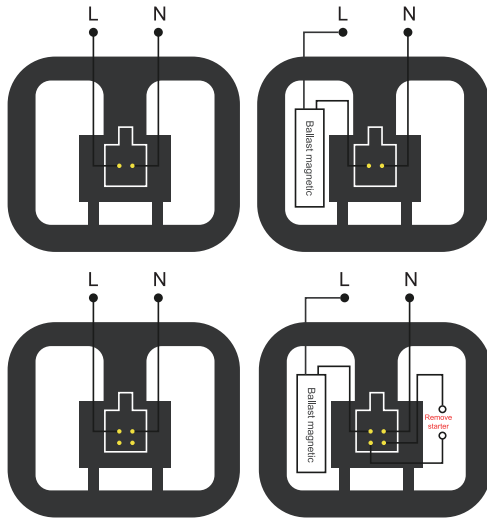
Model	Size	Voltage(V)	Power(W)	Lumen output(lm)	Color Temperature	CRI	Base	DF	Life(H)	Materials	Energy Class
WR-427-19W	Φ47*168	220-240V	19W	1950lm	3000-6500K	>80	E14/E27/B22	>0,5	25000	Plastic+glass	F
WR-490-23W	Φ58*174	220-240V	23W	2400lm	3000-6500K	>80	E14/E27/B22	>0,5	25000	Plastic+glass	F

2D Lamp



Direct connection
220-240v

Ballast magnetic connection
(CCG)



Model	Size	Voltage(V)	Power(W)	Lumen output(lm)	Color Temperature	CRI	Life(H)	Base
2D 2pin-8W	150x128x24mm	220-240V	8W	880lm	4000K/6500K	>80	25000	GR8
2D 2pin-12W	211x182x24mm	220-240V	12W	1350lm	4000K/6500K	>80	25000	GR8
2D 4pin-8W	150x128x24mm	220-240V	8W	880lm	4000K/6500K	>80	25000	GR10q
2D 4pin-16W	211x182x24mm	220-240V	16W	1800lm	4000K/6500K	>80	25000	GR10q

LED BULB-CB SERIES



Model	Size	Voltage(V)	Power(W)	Lumen output(lm)	PF	DF	Dim	CRI	Base
A60-7W	60*108	220-240V	7W	600	0,5	0,7	Non	>80	E27
A60-10W	60*118	220-240V	10W	900/1000	0,5	0,7	Non	>80	E27
A60-12W	60*120	220-240V	12W	1080/1150	0,5	0,7	Non	>80	E27
A60-15W	60*120	220-240V	15W	1359	0,5	0,7	Non	>80	E27
A70-18W	70*138	220-240V	18W	1620	0,5	0,7	Non	>80	E27
A80-20W	80*151	220-240V	20W	1800	0,5	0,7	Non	>80	E27
A95-23W	95*174	220-240V	23W	2070	0,5	0,7	Non	>80	E27
C37-8W	37*110	220-240V	8W	680/1720	0,5	0,7	Non	>80	E27/ E14
G45-8W	45*90	220-240V	8W	680/1720	0,5	0,7	Non	>80	E27/ E14
G95-15W	95*142	220-240V	15W	1521	0,5	0,7	Non	>80	E27
GU10-8W	50*54	220-240V	8W	540	≥0,5	0,7	No Dim	>80	GU 10
MR16-6W	50*56	12V	6W	556	≥0,5	0,7	No Dim	>80	GU 5.3
MR16-7W	50*56	12V	7W	705	≥0,5	0,7	No Dim	>80	GU 5.3

T-BULBS



Model	Size	Voltage(V)	Power(W)	Lumen output(lm)	CCT	PF	Life(H)	Dim	CRI
T80	80*120	220-240V	20W	1600	3000/4000/6500K	0,5	15000	No Dim	>80
T100	100*145	220-240V	30W	2400	3000/4000/6500K	0,5	15000	No Dim	>80
T120	120*165	220-240V	40W	2800	3000/4000/6500K	0,5	15000	No Dim	>80
T140	140*175	220-240V	50W	4000	3000/4000/6500K	0,5	15000	No Dim	>80

STICK BULBS



Model	Size	Voltage(V)	Power(W)	Lumen output(lm)	CCT	Beam angle	PF	Life(H)	Dim	CRI
T32-5W	32*101	220-240V	5W	450	3000/4000/6500K	200°	0,5	15000	No Dim	>80
T37-7W	37*115	220-240V	7W	630	3000/4000/6500K	200°	0,5	15000	No Dim	>80
T37-9W	37*115	220-240V	9W	810	3000/4000/6500K	200°	0,5	15000	No Dim	>80
T45-12W	45*134	220-240V	12W	1080	3000/4000/6500K	200°	0,5	15000	No Dim	>80
T52-15W	52*145	220-240V	15W	1350	3000/4000/6500K	200°	0,5	15000	No Dim	>80

UFO LAMPS



Model	Size	Voltage(V)	Power(W)	Lumen output(lm)	Diameter(mm)	PF	CRI	Life(H)
UFO-15W-E27	105*96*107	100-240V	15W	1275lm	105mm	0,6	>80	15000
UFO-20W-E27	125*100*125	100-240V	20W	1700lm	120mm	0,6	>80	15000
UFO-30W-E27	150*110*150	100-240V	30W	2550lm	150mm	0,6	>80	15000
UFO-50W-E27	225*110*225	100-240V	50W	4250lm	220mm	0,6	>80	15000

LED FILAMENT LAMPS



Clear / Amber available

Model	Size	Voltage(V)	Power(W)	Lumen output(lm)	Base	DF	Beam angle	Life(H)
A60-4W	60*105	220-240V	4W	470	E27/B22	>0,7	300°	15000
A60-6W	60*105	220-240V	6W	720	E27/B22	>0,7	300°	15000
A60-8W	60*105	220-240V	8W	1055	E27/B22	>0,7	300°	15000
C37-4W	35*97	220-240V	4W	420	E27/B22	>0,7	300°	15000
G45-4W	45*78	220-240V	4W	420	E27/B22	>0,7	300°	15000
ST64-4W	64*142	220-240V	4W	720	E27/B22	>0,7	300°	15000
ST64-6W	64*142	220-240V	6W	720	E27/B22	>0,7	300°	15000
ST64-8W	64*142	220-240V	8W	1055	E27/B22	>0,7	300°	15000
G80-6W	80*118	220-240V	6W	720	E27/B22	>0,7	300°	15000
G95-6W	95*140	220-240V	6W	720	E27/B22	>0,7	300°	15000
G95-8W	95*140	220-240V	8W	1055	E27/B22	>0,7	300°	15000
G125-6W	125*175	220-240V	6W	720	E27/B22	>0,7	300°	15000
G125-8W	125*175	220-240V	8W	1055	E27/B22	>0,7	300°	15000

LED FILAMENT LAMPS - CB SASO SERIES

Clear / Amber Available

Model	Size	Voltage(V)	Power(W)	Lumen output(lm)	Base	DF	Beam angle	Life(H)
A60-6W	60*105	220-240V	6W	700	E27	0,7	300°	15000
C37-4W	35*97	220-240V	4W	470	E14/E27	0,5	300°	15000
G45-4W	45*78	220-240V	4W	470	E14/E27	0,5	300°	15000
ST64-6W	64*142	220-240V	6W	720	E27	0,7	300°	15000



Features:

- Smart lamps
- Tuya APP,RGB+CW color change
- Easy to control by App

SMART LED BULB

Features:

- Smart lamps
- Tuya APP,RGB+CW color change
- Easy to control by App



SMART LED BULB

Powered by **tuya** Intelligence Home

Bluetooth matter Beacon

IOS/Android WiFi compatible with amazon alexa compatible with Google Assistant

Powered by **tuya** Intelligence Home

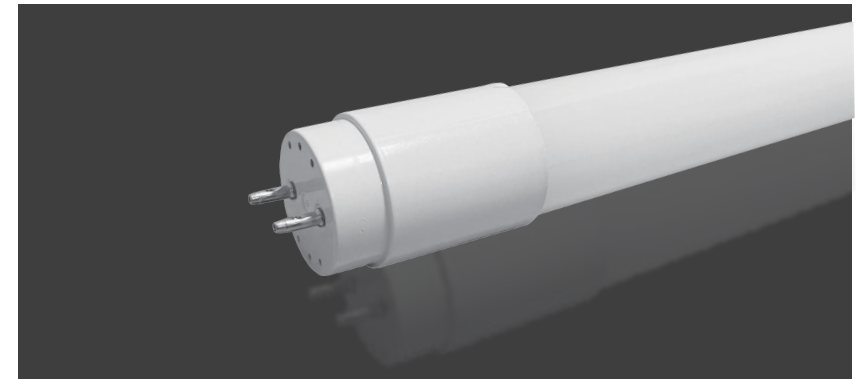
Bluetooth matter Beacon

IOS/Android WiFi compatible with amazon alexa compatible with Google Assistant



Model	Size	Voltage(V)	Power(W)	Lumen output(lm)	Base	DF	CRI	Beam angle	CCT	Life(H)
A60-9W	60*118	220-240V	9W	806	E27	0.7	>80	200°	RGB+CW	15000
C37-4.9W	37*97	220-240V	4.9W	470	E14	0.7	>80	200°	RGB+CW	15000
GU10-6W	50*54	220-240V	6W	500	Gu10	0.7	>80	38°	RGB+CW	15000

Model	Size	Voltage(V)	Power(W)	Lumen output(lm)	Base	DF	CRI	Beam angle	CCT	Life(H)
A60-4W-FIL	60*108	220-240V	4W	470	E27	0.5	80	300°	2700+6500K	15000
ST64-4W-FIL	64*142	220-240V	4W	470	E27	0.5	80	300°	2700+6500K	15000



GLASS T8/T5 LED TUBE

FEATURES:

- Compatible with magnetic/CCG ballast and also suitable for direct main operation(AC 220-240V)
- Long life,energy saving
- Efficacy: 100, 120, 140,160, 185,210Lm/w available
- 2 years and 5 years warranty
- PC/Nano tube available

Available with:

A	210LM/W
B	185LM/W
C	160LM/W
D	140LM/W
E	110LM/W 120LM/W



Model	Power(W)	Base	Size	CRI	PF
T8-9W	9	G13	2FT	80	≥0.5/0.9
T8-18W	18	G13	4FT	80	≥0.5/0.9
T8-22W	24	G13	5FT	80	≥0.5/0.9
T5-8.5W	8.5	G5	2FT	80	≥0.5/0.9
T5-10W	10	G5	3FT	80	≥0.5/0.9
T5-16W	16	G5	4FT	80	≥0.5/0.9
T5-20W	20	G5	5FT	80	≥0.5/0.9

Alu T8 LED TUBE

FEATURES:

- Replace fluorescent T8/T10
- High quality, long life
- Easy installation



Model	Voltage(V)	Power(W)	DF	Dimension(mm)	Lumen(lm)	CCT	CRI	Material
T8 tube-18W-Alu	85-277V	18	0.5	L=1200mm	1500	3000/4000/6500K	80	PC+Alu
T8 tube-13W-Alu	85-277V	13	0.5	L=900mm	1100	3000/4000/6500K	80	PC+Alu
T8 tube-9W-Alu	85-277V	9	0.5	L=600mm	810	3000/4000/6500K	80	PC+Alu

Functional T8 Tube

3CCT,PIR and Motion sensor types for choice

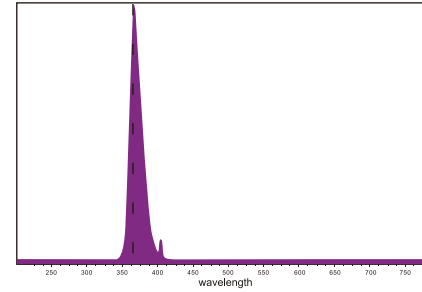


Model	Size(D*L)mm	Power(W)	Lumen	Base	CRI	PF
T8-0.6-9W	28*600	9	900	G13	80	≥0.5
T8-1.2-18W	28*1200	18	1800	G13	80	≥0.5

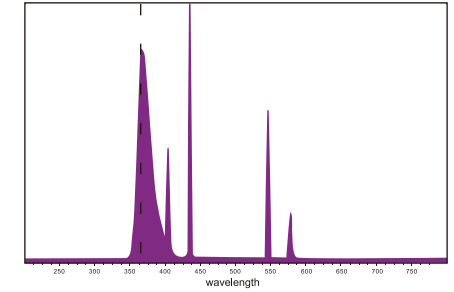


UVA Lamp

UVA Spectrum



UVA CFL Black light tube Spectrum



UVA CFL White light tube Spectrum



T5 White tube



T8 White tube
T8 LED tube

T5 TUBE

Series	Model	Voltage(V)	Power(W)	Base	Life(H)	Current (mA)	Irradiation intensity at 365nm (1m)(μw/cm²)	Pin to pin length(mm)
T5 White tube	UVA-T5 -4WBL -Z150	25	4W	G5	8000	130	8,7	150
	UVA-T5 -6WBL -Z226	40	6W	G5	8000	120	12,1	226
	UVA-T5 -8WBL -Z320	55	8W	G5	8000	110	13,8	302

T8 TUBE

Series	Model	Voltage(V)	Power(W)	Base	Life(H)	Current (mA)	Irradiation intensity at 365nm (1m)(μw/cm²)	Pin to pin length(mm)
T8 White tube	UVA-T8-10WBL -Z345	40	10W	G13	8000	210	22,8	345
	UVA-T8-15WBL -Z451	50	15W	G13	8000	305	43,5	451
	UVA-T8-20WBL -Z604	55	20W	G13	8000	210	54,8	604

Series	Model	Voltage(V)	Power(W)	Base	Life(H)	Current (mA)	Irradiation intensity at 365nm (1m)(μw/cm²)	Pin to pin length(mm)
T8 LED tube	UVA-T8-LED7W-Z331	100-265V	5W	G13	8000	52	11,3	331
	UVA-T8-LED10W-Z437	100-265V	7W	G13	8000	61	17,8	437
	UVA-T8-LED15W-Z589	100-265V	10W	G13	8000	85	20	589